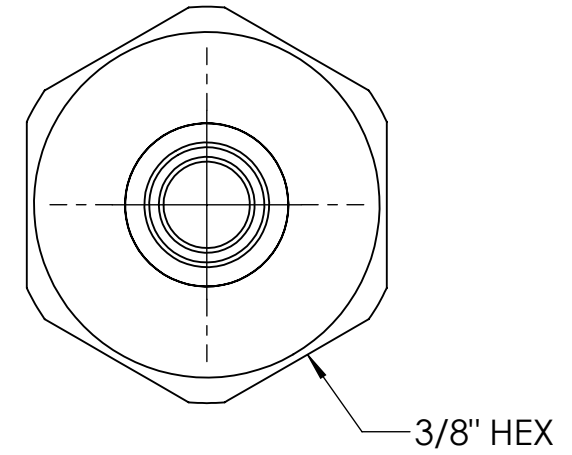
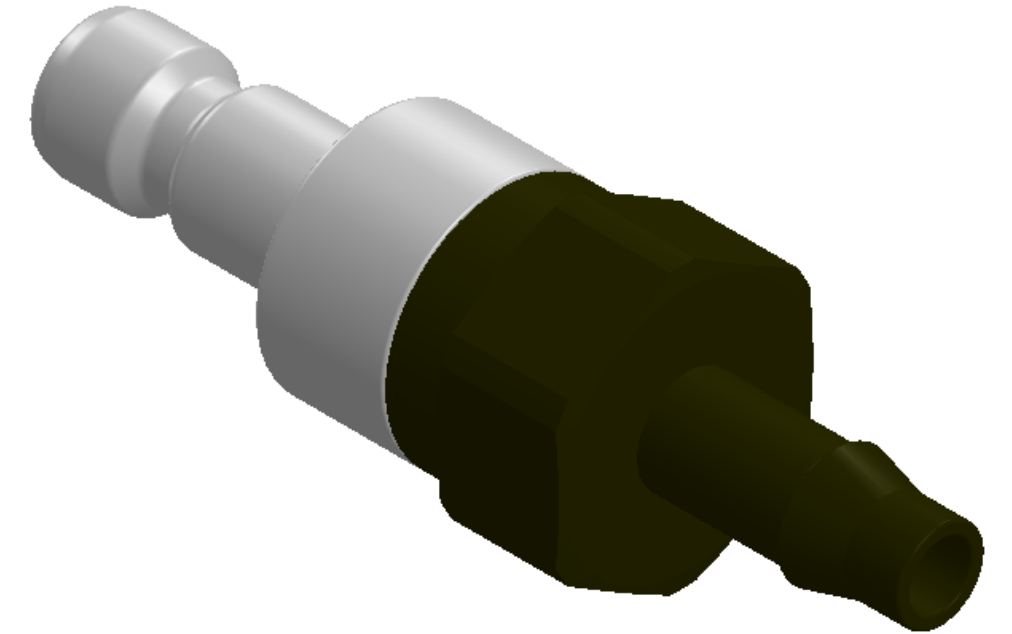
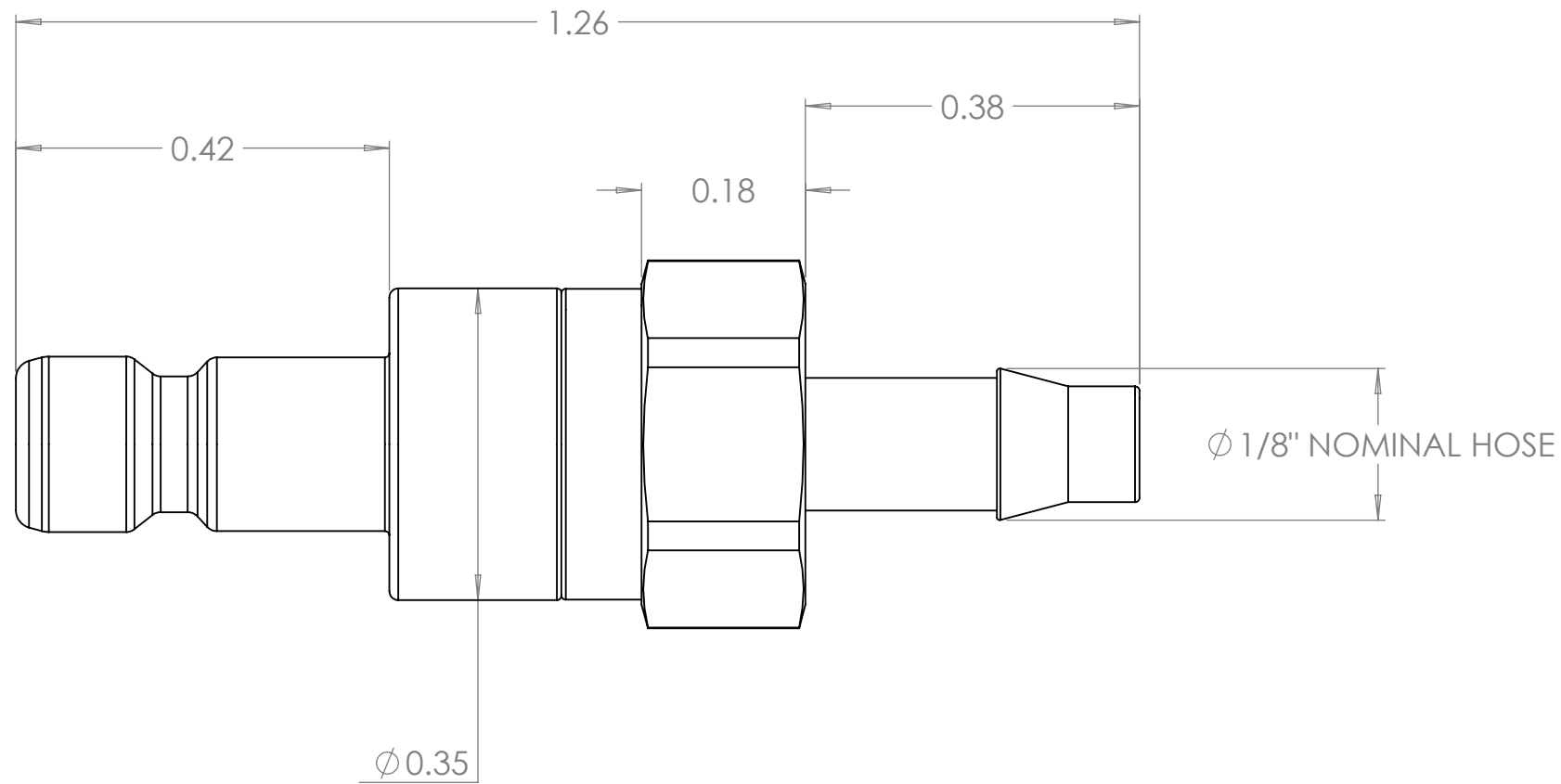


8 7 6 5 4 3 2 1

D
C
B
A

D
C
B
A



PROPRIETARY AND CONFIDENTIAL

THE INFORMATION CONTAINED IN THIS DRAWING IS THE SOLE PROPERTY OF BATTLEFIELD INTERNATIONAL INC. ANY REPRODUCTION IN PART OR AS A WHOLE WITHOUT THE WRITTEN PERMISSION OF BATTLEFIELD INTERNATIONAL INC. IS PROHIBITED.

UNLESS OTHERWISE SPECIFIED:
DIMENSIONS ARE IN INCHES
TOLERANCES:
FRACTIONAL \pm
ANGULAR: MACH \pm
TWO PLACE DECIMAL \pm
THREE PLACE DECIMAL \pm

INTERPRET GEOMETRIC TOLERANCING PER:

MATERIAL

FINISH

DO NOT SCALE DRAWING

	NAME	DATE
DRAWN	D.R.	08/23/11
CHECKED	T.B.	08/25/11
Q.A.	C.M.	08/25/11

TITLE: EL01Y Plug 02H		
PART NO: EL01YB3AC02UZ		
ORDER NO: AA1A1B		
SIZE	DWG. NO.	REV
B	-	-
SCALE: 5:1	WEIGHT:	SHEET 1 OF 1

8 7 6 5 4 3 2 1